

RANGEABLE VOLTAGE LCD DIGITAL PANEL METERS - EPIC SERIES

Voltage Powered LCD Digital Panel Meters Adjustable Voltage Input 3 1/2 Digit



Amber Negative



Red Negative



Green Negative

**Bezel Mount
(Actual size)**



No Backlight

Features:

- Low-cost, high-performance replacement for many OEM DPMs
- Optional Red, Green or Amber backlighting
- Snap-in bezel mount eliminates mounting hardware
- Resistant to RF and EMI
- 3 1/2 digits with high-contrast LCD Display
- 12V or 24V DC Voltage powered
- User selectable, displayed engineering units

Specifications:

Display:	
Digits:	3 1/2 digits (±19999 counts)
Type:	0.45" (11.4 mm) 7 segment LCD
Backlighting*:	Optional Red Negative (red numbers/black background) Optional Green Negative (green numbers/black background) Optional Amber Negative (amber numbers/black background)
Polarity:	Automatic, *+ displayed
Annunciators:	°F, °C, PSI, %, user selectable
Decimal Points:	3 position, user selectable
Overload:	Three lower order digits blank for inputs >1999
Inputs:	
Ranges:	0-10V DC, 0-5V DC or 0-200mV DC
Configuration:	Single ended
Impedance:	390K ohm min
Performance:	
Accuracy:	±(0.1% fs + 2 count)
Conversion Rate:	3 per second
Normal Mode Rejection:	>30 db @ 60 Hz
Common Mode Range:	±1V DC max
Common Mode Rej.:	>86 dB
Adjustments:	Span (gain)(2) (10V and 5V) and Zero (offset)
Warmup:	10 minutes typical
Temperature Coeff.:	± 100 ppm per °C typical
Offset Range:	-1999 to +1999
Gain Range:	1-2000 counts above adjusted zero
Environment:	
Operating Range:	0 to 50 °C
Storage Range:	-10 to 60 °C
Power Supply:	
	12V DC or 24V DC regulated (selectable)
Optional Backlight:	24V DC at 35 mA typical
Mounting:	
	Snap-in Bezel mount
Connection:	
	4 screw terminal (6 with backlight)

Ordering Information:

EPIC Series Voltage Powered LCD DPM Part Numbering

Snap-In Bezel Mount:

Backlight Type:

- DK196** = Amber Negative
- DK197** = Green Negative
- DK198** = Red Negative
- DK199** = No Backlight

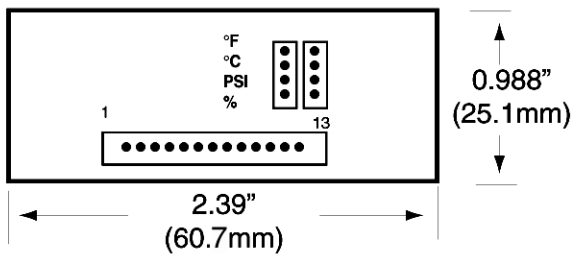
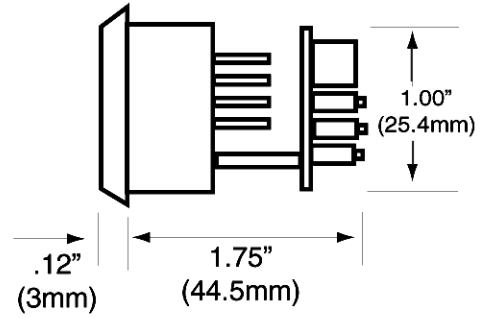
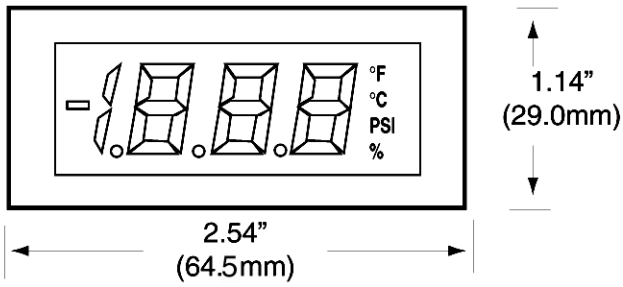
- PW2-5** Regulated 120V AC to 5V DC Power Supply
- PW2-12** Regulated 120V AC to 12V DC Power Supply
- PW2-24** Regulated 120V AC to 24V DC Power Supply

*Negative backlighting is lighted numerals
Positive backlighting is lighted background

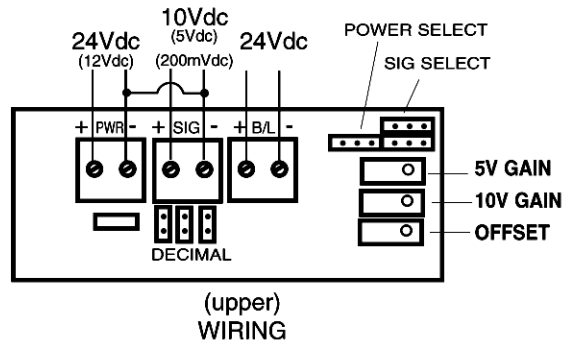


C-TON Industries • PO Box 10129 • Bedford, NH, 03110 • USA

Dimensions



REAR VIEW



DIMENSIONS

